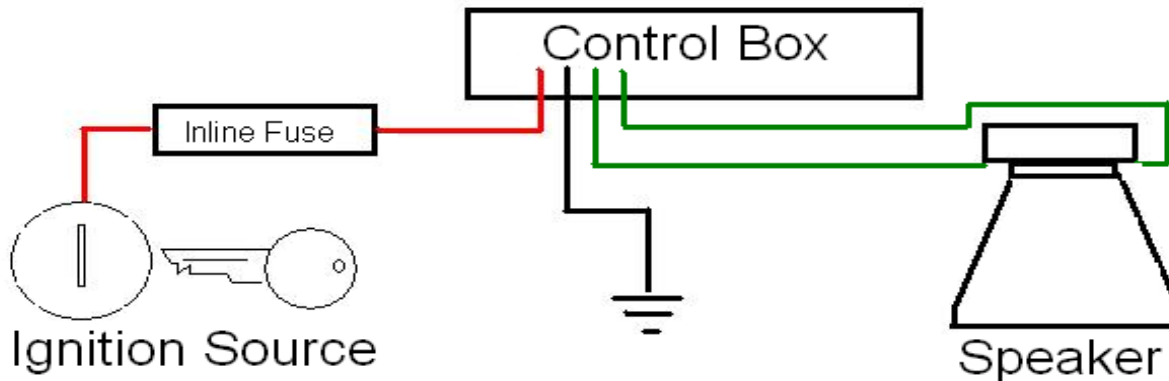




PART NUMBER: ACHRYH-5100



- Mount speaker in a location that will protect speaker from direct heavy contact with rain/snow/dirt. If the speaker gets wet, it will NOT damage it, but you don't want the speaker to get submerged with water. Mount the speaker on a downward angle with the outlet of cone downward. This allows water to drain from speaker cone and prevent water damage.
- The **RED** lead should go to an ignition source. Ignition source is a 12v source that has current only when the vehicle key is in the "ON" Position. This is not necessary, but recommended.
- **BLACK** lead should be wired to a good ground (negative).
- The 2(two) **BLUE/GREEN** leads should be wired to the green leads on the speaker. Both leads are green and it does NOT matter which green you splice to.
- To mount the control. Mount inside cab of vehicle in a location that is easy to control while operating vehicle. NOTE: Mount control box where it will not get wet.
- Mount the included microphone holder in easy access to vehicle operator. NOTE: Mount Microphone Holder where it will not get wet.

For Further Support:www.AssuredAutomotiveCompany.com/Install.html

WARNING: Use of this siren kit on public roadway by any person that is unauthorized may be unlawful in your area. Check with your local officials before installing this siren in a ON ROAD vehicle. HillsCrest Industries, INC . dba: Assured Automotive Company assumes no liability regarding install or use of this siren kit by any persons.